

## Detector and Module Accessories (FOR TC800 SERIES DEVICES)

### SPECIFICATION DATA



### DESCRIPTION

Honeywell offers a wide range of accessories and replacement parts designed to enhance the use, maintenance and testing of smoke detector products.

#### **SSDRA400Z Remote LED Annunciator:**

The SSDRA400Z Remote LED is an optional visual annunciator designed to provide remote status indication for smoke detectors, duct detectors and beam detectors. It uses an active current regulator to maintain 7mA of current within the specified 3.1 to 32V dc operating range. The 5 X 7cm, beige annunciator mounts on a standard, single -gang back box.

#### **SSDRTS451 Remote Test Station:**

The SSDRTS451 is designed for use with our duct detectors and the 6424 Beam Detector series. A magnet is used to activate the test feature.

#### **SSDAPA451 Remote Sounder/ LED Annunciator:**

For stand-alone conventional duct detector applications, the SSDAPA451 consists of a piezo sounder and alarm and power LEDs to signal trouble. The appliance fits in a single-gang box.

#### **SSDA77-716-02 and -01 Relay Modules:**

The SSDA77-716-02 Relay module is designed for use in end-of-line applications for 24 volt systems. It is suitable for 4-wire systems incorporating conventional series detectors. The SSDA77-716-01 is designed for 12 volt applications.

#### **SSDCRT400 Cover Removal Tool:**

To simplify removal of the tamper-proof covers on TC80x series ionisation and photoelectric detectors and sensors Honeywell offers the SSDCRT400 Removal Tool. It simultaneously depresses the three lock prongs on top of the unit, so that the cover can be rotated clockwise and removed.

#### **SSDXR5 and SSDXR2 Detector Removal Tool:**

The SSDXR5 Detector Removal Tool can be used with any TC80x series standard profile plug-in detector and sensor. For low profile detectors and sensors the SSDXR2 must be used. When used with the SSDXP4 Extension Poles, detectors can be installed and removed up to 6 meters overhead, without the need for ladders or scaffold.

#### **RS14, RS24 and RS24T Replacement Screens:**

After several cleanings, abuse or use in particularly dirty areas, detector screens need to be replaced to assure continued performance at the specified levels. Honeywell screens are made with a special screening that has 0.5mm openings for greater insect resistance. RS14 is the replacement screen for ionisation detectors. RS24 is for photoelectric detectors except those with thermal units. Photo/ thermal units require the RS24T.

#### **SSDR59-02-00 Test Card:**

This test card can be used to simulate smoke conditions on conventional series photoelectric smoke detectors. The two-sided card provides for 1% and 4% smoke limits.

#### **DUST45 Dust Cover:**

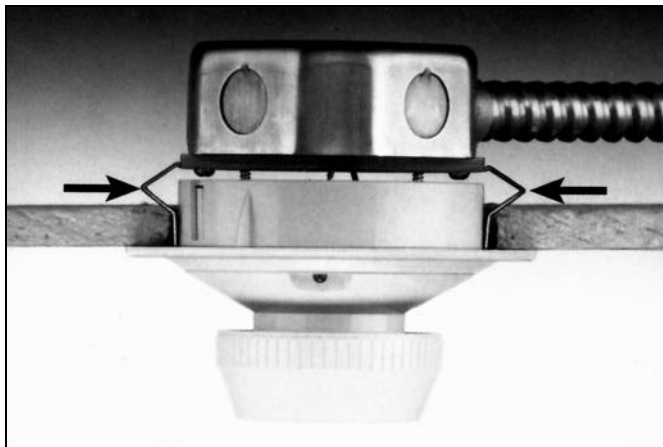
The DUST45 is intended for use during light construction with Honeywell's TC80x series detectors and sensors to provide light protection. During heavy construction, detectors should be removed.

#### **SSDM02-04 Test Magnet:**

The test magnet is used to activate the internal reed switch on TC80x series plug-in detectors/sensors and duct detectors. A thorough functional test will cause the LEDs to indicate alarm.

**SSDSMK400, SSDRMK400, SSDSMB600 and SSDSMB500 Mounting Kits:**

Four different mounting kits are available. The SSDSMK400 Surface Mounting Kit and SSDRMK400 Recess Mounting Kit are designed to work with the TC80x series 5cm plug-in mounting bases. SSDSMK400 accommodates surface wiring conduit. SSDRMK400 is suitable for suspended and drywall ceilings.



**Fig. 1: SSDRMK400 Recess Mounting Kit**

The SSDRMK400 reduces the depth of any TC80x series detector by almost 2.5 cm, and accommodates photo, ion and thermal plug-in detectors and sensors. It includes a specially designed metal mounting bracket, which secures the kit and base assembly to the junction box and ceiling panel.

The SSDSMB600 Surface Mounting Kit is designed for detectors using a 15 cm diameter base, direct wire detectors and sensors using the sounder base.

Where a more finished look is needed for the intelligent series panel modules, SSDSMB500 Surface Mounted Box provides a 10 cm square enclosure made of beige plastic.

**SSDMOD400R Field Sensitivity Test Module:**

The SSDMOD400R Field Sensitivity Test Module is designed to check the sensitivity of Honeywell's TC80x series conventional detectors.

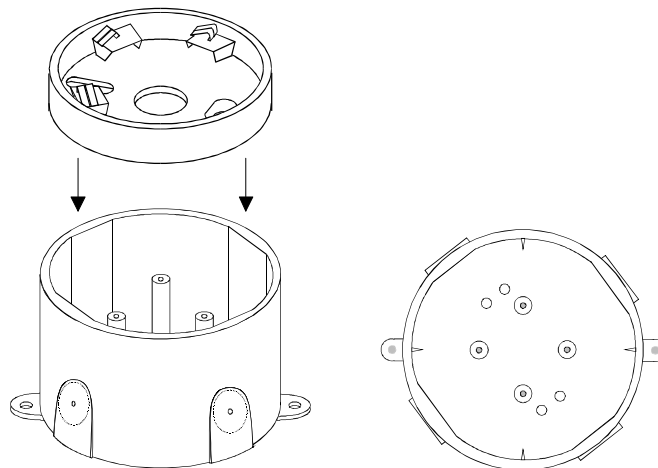


**Fig. 2: SSDMOD400R Field Sensitivity Test Module**

The test module can be connected to any dc voltmeter (meter movement of 10K ohms/v or greater) to obtain a reading which correlates to the detectors sensitivity range. The SSDMOD400R monitors its own battery voltage when connected to a voltmeter. A replacement cord SSDMOD45R can be ordered separately in case of damage to the original cord.

**SSDWB1:**

The SSDWB1 Weatherproof Backbox is designed for TC80x series detectors for surface mounting APPLICATIONS.



**Fig. 3: SSDWB1 Weatherproof Backbox**

**Honeywell**

Comfort from Experience

**Home and Building Control**  
Honeywell Inc.  
Honeywell Plaza  
P.O. Box 524  
Minneapolis MN 55408-0524

**Home & Building Control**  
Honeywell GmbH  
Honeywellstrasse  
63477 Maintal 1  
Germany

**European Centre of Excellence  
Fire Solutions**  
Lovelace Road, Southern Industrial Area  
Bracknell, Berkshire, RG12 8WD  
United Kingdom